

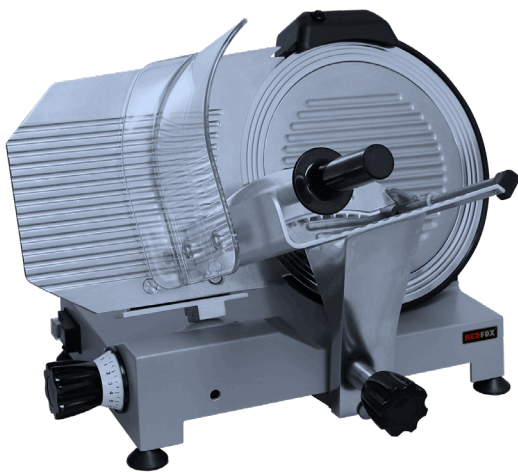
Technical data sheet



Product features

Slicer, blade 300 mm plain

Model	SAP Code	00020268
--------------	-----------------	----------



- Blade type: Smooth
- Blade diameter [mm]: 300
- Cutting thickness [mm]: 1-14
- Transfer type: Strappy
- Material: Aluminium
- Safety cover: plastic
- Safety element: Two buttons on off switch. safety cover
- Table position: Oblique
- On/Off button: Yes

SAP Code	00020268	Power electric [kW]	0.220
Net Width [mm]	410	Loading	230 V / 1N - 50 Hz
Net Depth [mm]	550	Blade type	Smooth
Net Height [mm]	420	Blade diameter [mm]	300
Net Weight [kg]	16.00	Cutting thickness [mm]	1-14

Technical data sheet



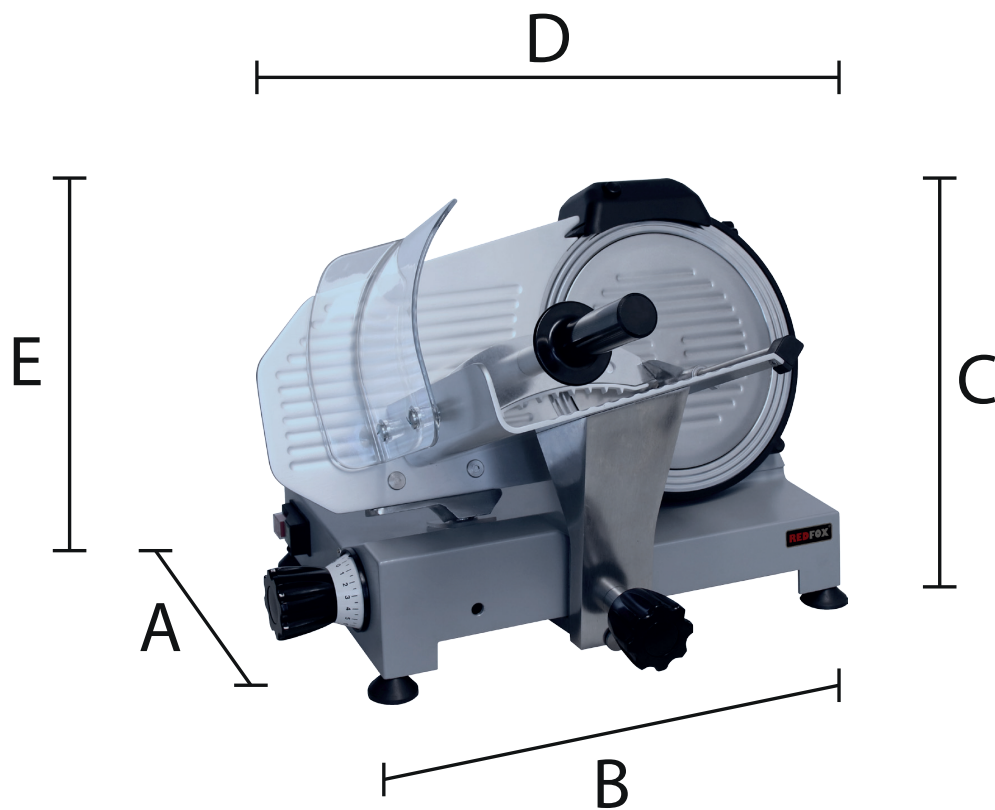
Technical drawing

Slicer, blade 300 mm plain

Model

SAP Code

00020268



Model	Rozměry (cm)	Váha (kg)	Elektrické připojení
GSP 250	30 x 44 x 41 x 51 x 39	13,5	230 x 50 x 1
GSP 275	30 x 44 x 41 x 53 x 42	14,2	230 x 50 x 1
GSP 300	30 x 44 x 41 x 55 x 42	16	230 x 50 x 1
GSP 300 XL	33 x 48 x 47 x 57 x 47	23	230 x 50 x 1

Technical data sheet



Product benefits

Slicer, blade 300 mm plain

Model

SAP Code

00020268

- 1** | **The slicer is built with polished cast aluminum.**
strength, high corrosion resistance, thermal conductivity
 - longer service life of the cutting machine
- 2** | **Very sturdy and easy to use and clean with little maintenance.**
easy to use and clean
 - time savings
- 3** | **Excellent for cutting meats, vegetables and cheeses.**
variability of use for different foods
 - cost savings
- 4** | **The blade is made in non sticking steel with special grooves.**
the food does not stick, the flow of work
 - time saving, uncomplicated work
- 5** | **Fixed sharpening with bowl to maintain stones clean from food residues.**
the possibility of sharpening the knife without adding a sharpener
 - saving time, manpower, costs
- 6** | **Sliding carriage on teflon bushings with an heavy duty food holder with removable nails for easy cleaning.**
fluidity of work, easy cleaning
 - saving human labor, time
- 7** | **Removing carriage with block sail according to security rules.**
the food cart can be removed
 - higher safety, easy cleaning
- 8** | **Strong fan silenced professional motor.**
lower noise
 - health protection
- 9** | **Two buttons on off switch.**
safety feature
 - health protection, safety
- 10** | **The slicer was designed and manufactured according to international standards for safety, hygiene and food contact.**
meets strict safety and hygiene standards
 - higher safety, hygiene
- 11** | **Slicing thickness 0-14 mm.**
variability of the thickness of the sliced product
 - cost savings
- 12** | **According to the CE rules professional use.**
use in highly specialized and professional operations
 - professional product - prestige

Technical data sheet



Technical parameters

Slicer, blade 300 mm plain

Model

SAP Code

00020268

1. SAP Code:

00020268

2. Net Width [mm]:

410

3. Net Depth [mm]:

550

4. Net Height [mm]:

420

5. Net Weight [kg]:

16.00

6. Gross Width [mm]:

570

7. Gross depth [mm]:

480

8. Gross Height [mm]:

450

9. Gross Weight [kg]:

19.00

10. Device type:

Electric unit

11. Material:

Aluminium

12. Exterior color of the device:

Grey

13. Power electric [kW]:

0.220

14. Loading:

230 V / 1N - 50 Hz

15. Control type:

Electric

16. Safety cover:

plastic

17. Safety element:

Two buttons on off switch.
safety cover

18. Engine protection:

ventilator

19. Main switch:

Yes

20. Transfer type:

Strappy

21. Standard equipment for device:

whetstone

22. Additional information:

Noise N. 62 DB

23. Blade type:

Smooth

24. Blade diameter [mm]:

300

25. On/Off button:

Yes

26. Removable moving table:

Yes

27. Anti-adhesive blade treatment:

Yes

28. Table position:

Oblique

Technical data sheet



Technical parameters

Slicer, blade 300 mm plain

Model

SAP Code

00020268

29. Blade cover material:

Plastic

31. Cutting thickness [mm]:

1-14

30. Sharpening device:

Integrated

32. Cross-section of conductors CU [mm²]:

0,5

- Výkon (kW): 2,4-3,3 (230 V)